

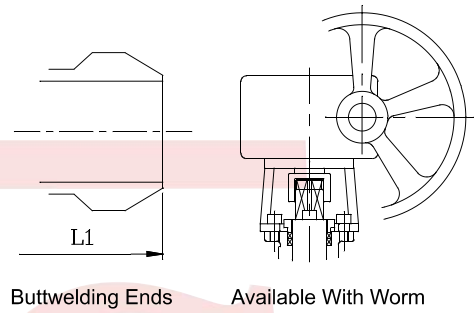
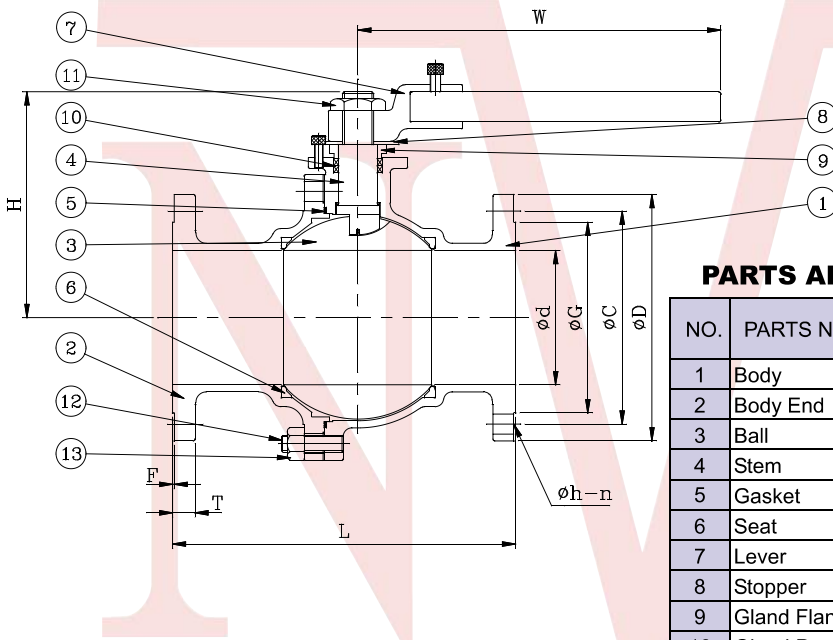
CAST STEEL BALL VALVES – ANSI CLASS 150

DESIGN DESCRIPTION:

- FULL PORT
- FIRE SAFE CONSTRUCTION
- TWO PIECE BODY
- FLOATING BALL TYPE
- ANTI-STATIC DEVICE
- BLOW OUT PROOF STEM
- STOPPER DEVICE
- ISO 5211 MOUNTING PAD
- FLANGE ENDS
- BUTTWELDING ENDS

APPLICABLE STANDARDS:

- METAL BALL VALVES, API 608
- FIRE SAFE, API 607
- STEEL VALVES, ANSI B16.34
- FACE TO FACE, ANSI B16.10
- END FLANGES, ANSI B16.5
- BUTTWELDING ENDS, ANSI B16.25
- INSPECTION AND TEST, API 598



PARTS AND MATERIAL (ASTM)

| NO. | PARTS NAME | MATERIALS | | |
|-----|---------------|-------------------------|----------|-----------|
| | | WCB | CF8 | CF8M |
| 1 | Body | A216-WCB | A351-CF8 | A351-CF8M |
| 2 | Body End | A216-WCB | A351-CF8 | A351-CF8M |
| 3 | Ball | A351-CF8 | A351-CF8 | A351-CF8M |
| 4 | Stem | A276-304 | A276-304 | A276-316 |
| 5 | Gasket | Grafoil+316 Spiralwound | | |
| 6 | Seat | RTFE | | |
| 7 | Lever | A536 | | |
| 8 | Stopper | A240-304 | | |
| 9 | Gland Flange | A351-CF8 | | |
| 10 | Gland Packing | Grafoil | | |
| 11 | Lever Nut | B16 / AISI 304 | | |
| 12 | Body Bolt | A193-B7 | A193-B8 | A193-B8 |
| 13 | Nut | A194-2H | A194-8 | A194-8 |

OTHER MATERIALS ARE AVAILABLE UPON REQUEST.

TEST PRESSURE TO API 598

PSIG

| SHELL TEST (water) | SEAT TEST (water) | SEAT TEST (air) |
|-------------------------------|-------------------|-----------------------------|
| 450 (32 kg/cm ²) | — | 80 (6 kg/cm ²) |

DIMENSION TABLE:

| DN | NPS | Ø d | L | L1 | H | W | T | F | Ø D | Ø C | Ø G | Ø h | n |
|-----|-------|-------|-----|-----|-----|------|------|-----|-------|-------|-------|------|----|
| 15 | 1/2 | 12.7 | 108 | 140 | 54 | 130 | 10.0 | 1.6 | 88.9 | 60.5 | 35.1 | 16.0 | 4 |
| 20 | 3/4 | 19.0 | 117 | 152 | 60 | 130 | 10.5 | 1.6 | 98.6 | 69.9 | 43.0 | 16.0 | 4 |
| 25 | 1 | 25.4 | 127 | 165 | 68 | 130 | 11.2 | 1.6 | 108.0 | 79.2 | 50.8 | 16.0 | 4 |
| 40 | 1 1/2 | 38.1 | 165 | 191 | 85 | 230 | 14.3 | 1.6 | 127.0 | 98.6 | 73.2 | 16.0 | 4 |
| 50 | 2 | 50.8 | 178 | 216 | 110 | 230 | 15.8 | 1.6 | 152.4 | 120.7 | 92.0 | 19.0 | 4 |
| 65 | 2 1/2 | 63.5 | 191 | 241 | 146 | 350 | 17.5 | 1.6 | 177.8 | 139.7 | 104.7 | 19.0 | 4 |
| 80 | 3 | 76.2 | 203 | 282 | 156 | 350 | 19.1 | 1.6 | 190.5 | 152.4 | 127.0 | 19.0 | 4 |
| 100 | 4 | 101.6 | 229 | 305 | 192 | 400 | 23.9 | 1.6 | 228.6 | 190.5 | 157.2 | 19.0 | 8 |
| 150 | 6 | 152.4 | 394 | 457 | 260 | 800 | 25.4 | 1.6 | 279.4 | 241.3 | 215.9 | 22.3 | 8 |
| 200 | 8 | 203.2 | 457 | 521 | 317 | 1100 | 28.5 | 1.6 | 342.9 | 298.5 | 269.8 | 22.3 | 8 |
| 250 | 10 | 254.0 | 533 | 559 | 364 | 1200 | 30.3 | 1.6 | 406.4 | 362.0 | 323.9 | 25.4 | 12 |
| 300 | 12 | 304.8 | 610 | 635 | G/0 | G/0 | 31.8 | 1.6 | 482.6 | 431.8 | 381.0 | 25.4 | 12 |