

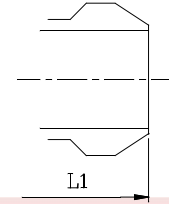
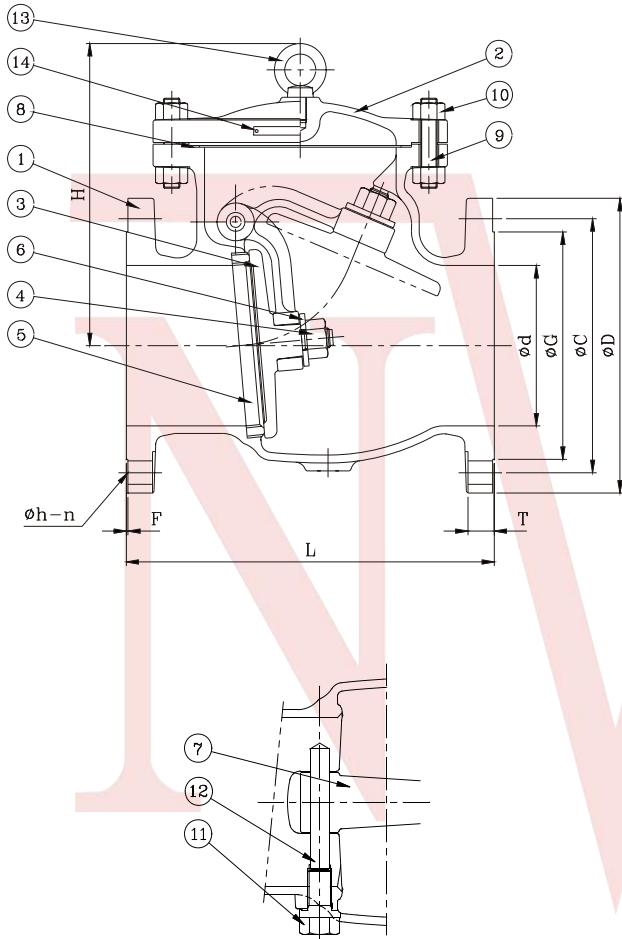
CAST STEEL CHECK VALVE – ANSI CLASS 300

DESIGN DESCRIPTION:

- BOLTED COVER
- SWING TYPE
- FOR HORIZONTAL OR VERTICAL LINES
- RENEWABLE SEAT RING
- FLANGED ENDS
- BUTTWELDING ENDS

APPLICABLE STANDARDS:

- STEEL VALVES, ANSI B16.34
- FACE TO FACE, ANSI B16.10
- END FLANGES, ANSI B16.5
- BUTTWELDING ENDS, ANSI B16.25
- INSPECTION AND TEST, API 598



PARTS AND MATERIAL (ASTM)

NO.	PARTS NAME	MATERIALS		
		WCB	WC6	LCB
1	Body	A216-WCB	A217-WC6	A352-LCB
2	Cover	A216-WCB	A217-WC6	A352-LCB
3	Disc	A216-WCB+H/F 410	A276-WC6+H/F 410	A352-LCB+H/F 410
4	Disc Nut	A194-8		
5	Seat Ring	A105+H/F STL#6	A217-WC6+H/F STL#6	A350-LF2+H/F STL#6
6	Disc Washer	A276-304		
7	Swing Arm	A216-WCB	A217-WC6	A352-LCB
8	Gasket	304 Spiralwound w/ Grafoil Fillor		
9	Cover Bolt	A193-B7	A193-B7	A193-B7M
10	Cover Bolt Nut	A194-2H	A194-2H	A194-2HM
11	Plug	A276-410		
12	Hinge Pin	A276-410		
13	Eye Bolt	A36+Zn Plate		
14	Name Plate	A666-304		

OTHER MATERIALS ARE AVAILABLE UPON REQUEST.

TEST PRESSURE TO API 598

PSIG		
SHELL TEST (water)	SEAT TEST (water)	SEAT TEST (air)
1125 (79 kg/cm ²)	814 (57 kg/cm ²)	80 (6 kg/cm ²)

DIMENSION TABLE:

DN	NPS	Ø d	L & L1	H	T	F	Ø D	Ø C	Ø G	Ø h	n	WT.(Kg)
50	2	50.8	267	173	22.4	1.6	165.1	127.0	92.0	19.0	8	23
65	2 1/2	63.5	292	180	25.4	1.6	190.5	149.4	104.6	22.3	8	34
80	3	76.2	318	220	28.5	1.6	209.6	168.1	127.0	22.3	8	41
100	4	101.6	356	236	31.8	1.6	254.0	200.2	157.2	22.3	8	68
150	6	152.4	445	310	36.6	1.6	317.5	270.0	215.9	22.3	12	125
200	8	203.2	533	348	41.2	1.6	381.0	330.2	269.7	25.4	12	196
250	10	254.0	622	380	47.8	1.6	444.5	387.4	323.8	28.4	16	292
300	12	304.8	711	428	50.8	1.6	520.7	450.9	381.0	31.8	16	450
350	14	337.0	838	484	53.8	1.6	584.2	514.4	412.8	31.8	20	688
400	16	387.4	864	526	57.2	1.6	647.7	571.5	469.9	35.0	20	860
450	18	438.2	978	610	60.5	1.6	711.2	628.7	533.4	35.0	24	1060
500	20	489.0	1016	680	63.5	1.6	774.7	685.8	584.2	35.0	24	1289
600	24	590.6	1346	757	69.9	1.6	914.4	812.8	692.2	41.0	24	1650