

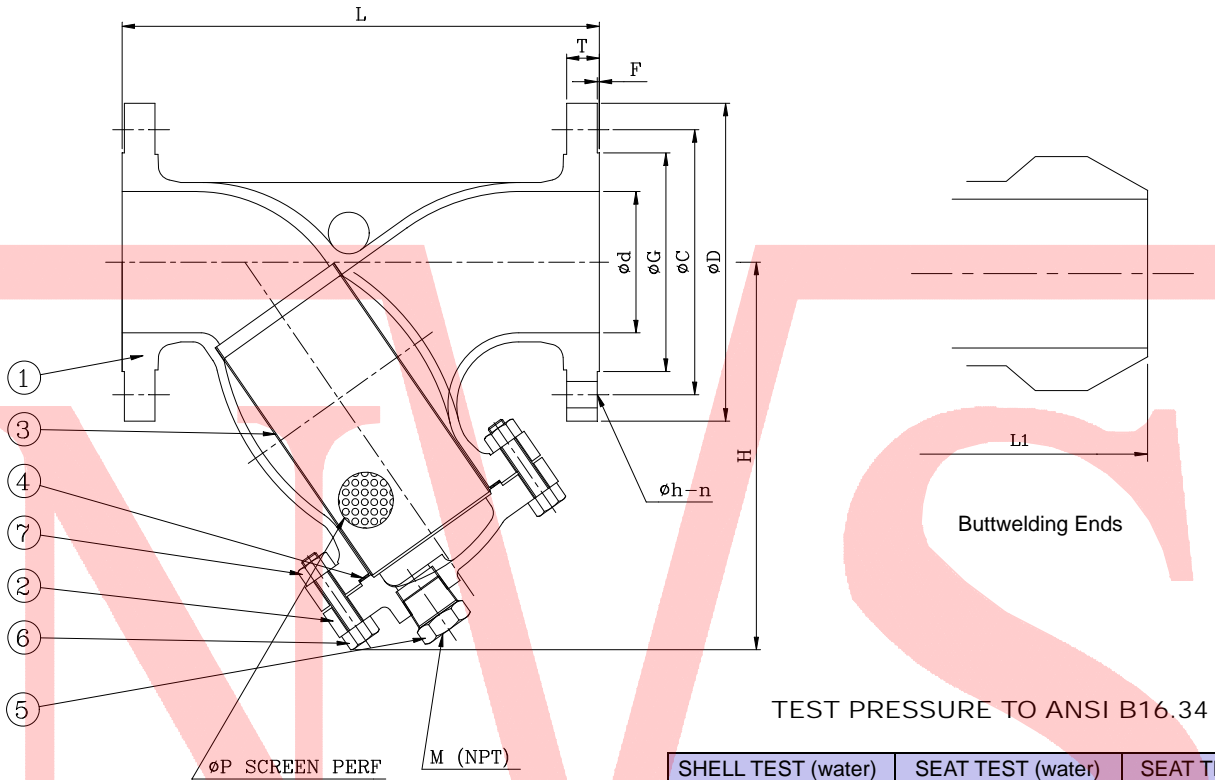
CAST STEEL Y-STRAINER - ANSI CLASS 150

DESIGN DESCRIPTION:

- Y-PATTERN
- BOLTED COVER WITH DRAIN PLUG
- PERFORATED STAINLESS STEEL SCREEN
- FLANGED ENDS
- BUTTWELDING ENDS

APPLICABLE STANDARDS:

- SHELL WALL THICKNESS, ANSI B16.34
- PRESSURE-TEMPERATURE RATING, ANSI B16.34
- END FLANGES, ANSI B16.5
- BUTTWELDING ENDS, ANSI B16.25



TEST PRESSURE TO ANSI B16.34

SHELL TEST (water)	SEAT TEST (water)	SEAT TEST (air)	PSIG
450 (32 kg/cm ²)	—	—	

PARTS AND MATERIAL (ASTM)

NO.	PARTS NAME	MATERIALS		
		WCB	LCB	WC6
1	Body	A216-WCB	A352-LCB	A217-WC6
2	Cover	A216-WCB	A352-LCB	A217-WC6
3	Screen	A182-F304		
4	Gasket	Grafoil+304 Sheet		
5	Plug	A276-410		
6	Cover Bolt	A193-B7		
7	Cover Bolt Nut	A194-2H		

OTHER MATERIALS ARE AVAILABLE UPON REQUEST.

DIMENSION TABLE:

DN	NPS	Ø d	L&L1	H	T	F	Ø D	Ø C	Ø G	Ø h	n	M
50	2	51	200	169.4	19	1.6	152	120.5	92	19	4	1/2"
65	2 1/2	64	248	190.0	22.5	1.6	178	139.5	105	19	4	1"
80	3	76	254	230.5	24	1.6	190	152.5	127	19	4	1"
100	4	102	308	278.6	24	1.6	229	190.5	157	19	8	1-1/2"
125	5	127	397	330.0	24	1.6	254	216.0	186	22	8	2"
150	6	152	470	369.3	26	1.6	279	241.5	216	22	8	2"
200	8	203	543	440.2	29	1.6	343	298.5	270	22	8	2"
250	10	254	660	530.0	31	1.6	406	362.0	324	25	12	2"
300	12	305	759	650.0	32	1.6	483	432.0	381	25	12	2"