

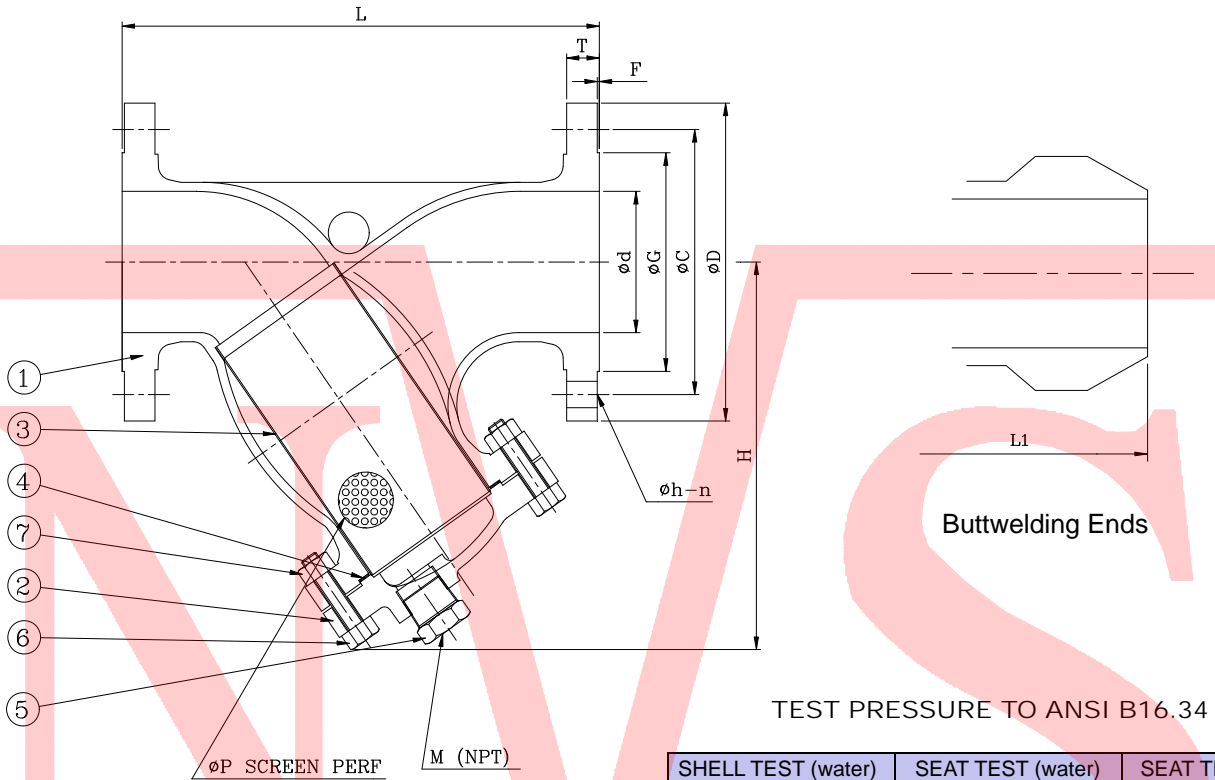
CAST STEEL Y-STRAINER - ANSI CLASS 300

DESIGN DESCRIPTION:

- Y-PATTERN
- BOLTED COVER WITH DRAIN PLUG
- PERFORATED STAINLESS STEEL SCREEN
- FLANGED ENDS
- BUTTWELDING ENDS

APPLICABLE STANDARDS:

- SHELL WALL THICKNESS, ANSI B16.34
- PRESSURE-TEMPERATURE RATING, ANSI B16.34
- END FLANGES, ANSI B16.5
- BUTTWELDING ENDS, ANSI B16.25



TEST PRESSURE TO ANSI B16.34

PSIG

SHELL TEST (water)	SEAT TEST (water)	SEAT TEST (air)
1125 (79 kg/cm ²)	—	—

PARTS AND MATERIAL (ASTM)

NO.	PARTS NAME	MATERIALS		
		WCB	LCB	WC6
1	Body	A216-WCB	A352-LCB	A217-WC6
2	Cover	A216-WCB	A352-LCB	A217-WC6
3	Screen	A240-304		
4	Gasket	Grafoil+316 Sheet		
5	Plug	A276-304		
6	Cover Bolt	A193-B7		
7	Cover Bolt Nut	A194-2H		

OTHER MATERIALS ARE AVAILABLE UPON REQUEST.

DIMENSION TABLE:

DN	NPS	Ø d	L&L1	H	T	F	Ø D	Ø C	Ø G	Ø h	n	M
50	2	51	219	169.4	23	1.6	165	127.0	92	19	8	1/2"
65	2 1/2	64	269	190.0	26	1.6	190	149.0	105	22	8	1"
80	3	76	305	230.5	29	1.6	210	168.5	127	22	8	1"
100	4	102	368	278.6	32	1.6	254	200.0	157	22	8	1-1/2"
150	6	152	490	369.3	37	1.6	318	270.0	216	22	12	2"
200	8	203	594	440.2	42	1.6	381	330.0	270	25	12	2"
250	10	254	695	530.0	48	1.6	445	387.5	324	29	16	2"
300	12	305	813	650.0	51	1.6	521	451.0	381	32	16	2"